



BIN DISCHARGERS

Nol-Tec aerating bin dischargers effectively promote gravity flow of difficult-to-handle dry powders from silos and hoppers.

STANDARD FEATURES:

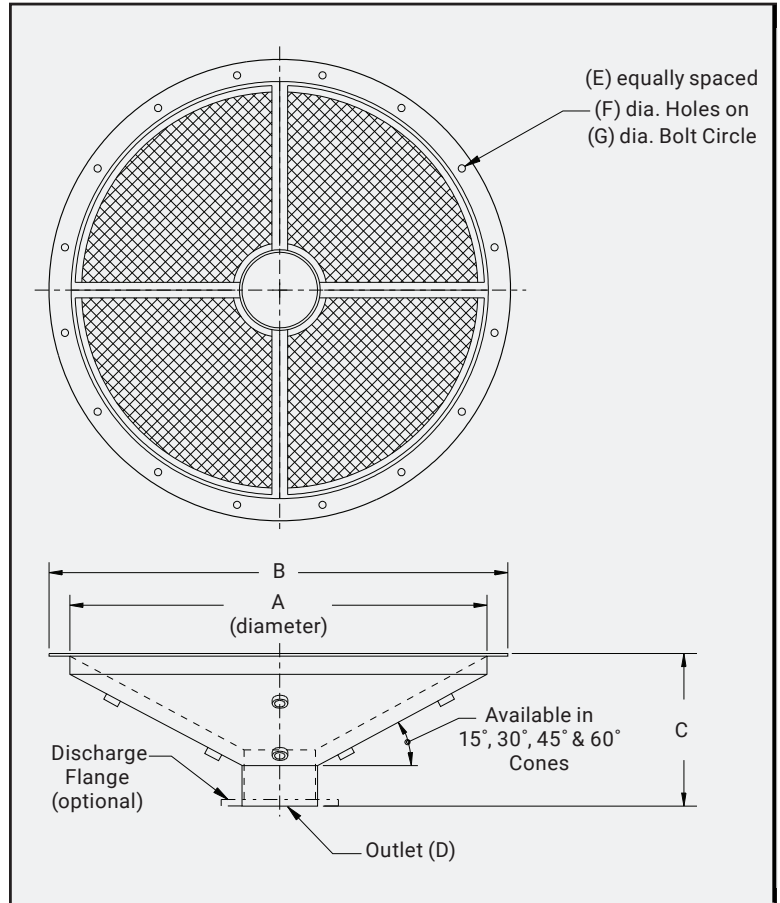
- Four separate aeration zones with individual volume controls
- Full aeration media across discharger
- Low profile saves headroom
- Maintenance-free aeration media
- Operates with plant air or positive displacement blower
- Aeration pulsing sequences as needed to discharge material
- Air controls for high or low pressure: hoses, gauges, and control valves

SPECIFICATIONS:

- **Compressed air:** Compressed plant supply; positive displacement blower; clean and dry
- **Temperature:** 310° F maximum

OPTIONAL FEATURES:

- Stainless steel material contact area
- Stainless steel aeration media
- Variety of aeration media fabrics
- Discharge flange
- Multiple outlets
- Contact Nol-Tec with any special requirements



BIN DISCHARGER													
A	B	C				D	E	F	G	FILTER AREA (SQ FT)			
		@ 15°	@ 30°	@ 45°	@ 60°					@ 15°	@ 30°	@ 45°	@ 60°
2'	2' 4"	8"	11"	15"	21"	6"	16	0.625"	2' 2.5"	3	3.4	4.2	6
3'	3' 4"	9"	14"	21"	32"	6"	24	0.625"	3' 2.5"	7.1	7.9	9.7	13.9
4'	4' 6"	12"	18"	28"	42"	8"	32	0.625"	4' 3.5"	12.6	14.1	17.3	24.9
5'	5' 6"	15"	24"	34"	53"	10"	36	0.75"	5' 4"	19.8	22	27	39
6'	6' 6"	17"	28"	40"	63"	12"	40	0.75"	6' 4"	28.5	31.7	38.9	56.2
8'	8' 8"	21"	35"	52"	74"	16"	52	0.75"	8' 5"	51.5	58.5	71.5	100

Specifications subject to change without notice.

TRUSTED TO DELIVER®

Nol-Tec Systems, Inc | 425 Apollo Drive | Lino Lakes, MN 55014
651.780.8600 | sales@nol-tec.com | www.nol-tec.com

5.019.SALE.10.23.18.03

