



# SINGLE BAG/CARTRIDGE DUST FILTERS

*Nol-Tec single bag/cartridge dust filters effectively filter dust laden air created by hopper filling applications.*

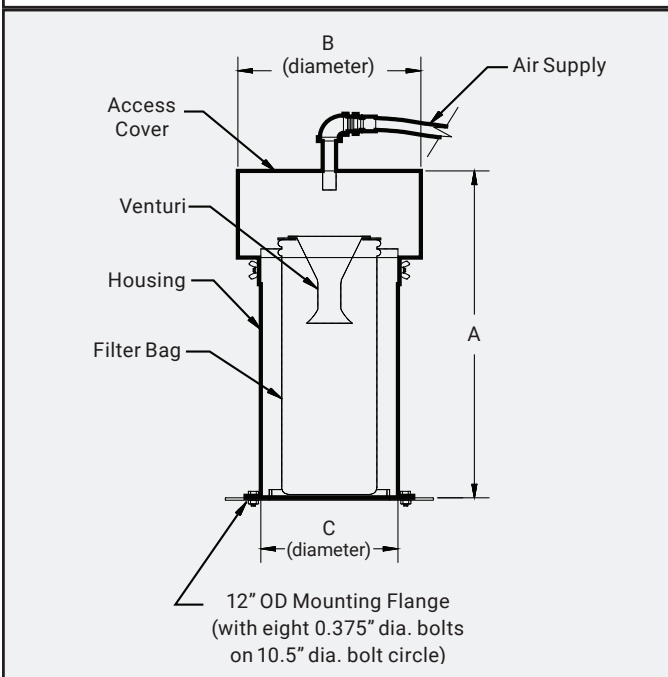
## STANDARD FEATURES:

- Venturi reverse jet cleaning
- Top filter element removal (Model 279)
- Bottom filter element removal (Model 317)
- 100% material recovery
- **Compressed air:** Clean and dry at 80 PSIG minimum
- **Electrical:** 24VDC
- **Temperature range:** Polyester bags 2700; Polyester cartridge & urethane ends 2250 F

## OPTIONAL FEATURES:

- Stainless steel construction
- Coatings and finishes
- Variety of filter media materials available
- Variety of mounting arrangements
- **Electrical:** 110-120V; 50-60Hz

### MODELS 275 & 279 SINGLE BAG/CARTRIDGE

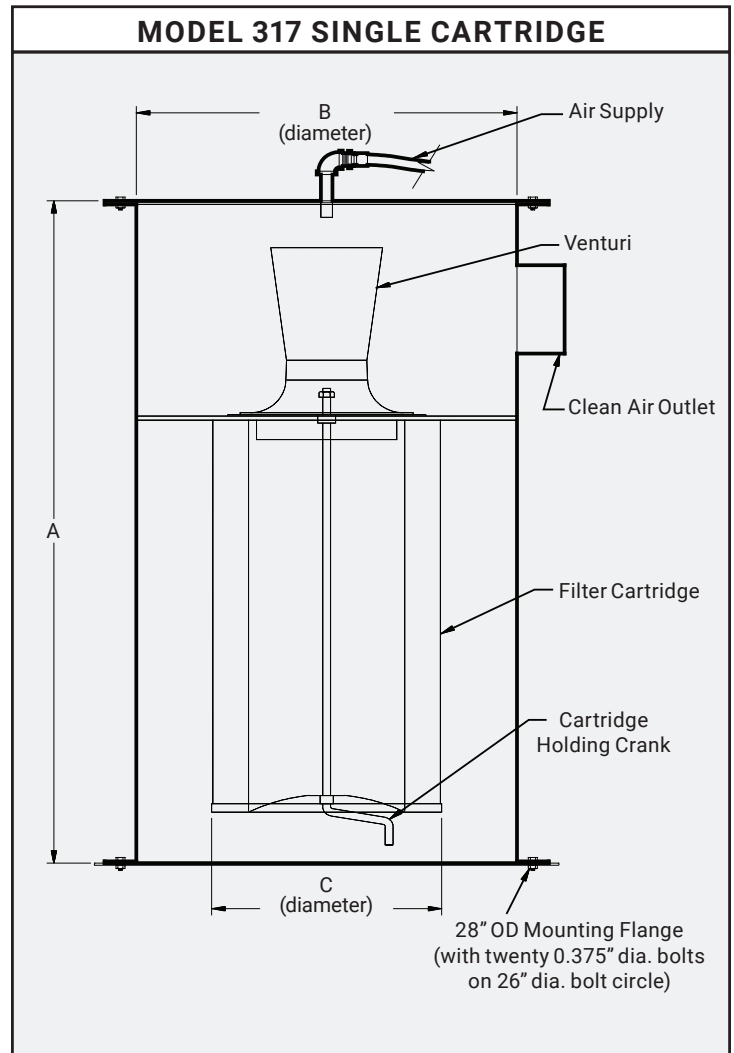


### SINGLE BAG/CARTRIDGE DUST FILTERS

MODEL	TYPE	FILTER AREA	A	B	C
279-225	Bag	2.25 ft <sup>2</sup>	25"	12"	9"
279-450	Bag	4.5 ft <sup>2</sup>	43"	12"	9"
279-3000	Cartridge	30 ft <sup>2</sup>	43"	12"	9"
275-5000	Cartridge	50 ft <sup>2</sup>	27.5"	17"	14"
317-9000	Cartridge	90 ft <sup>2</sup>	33"	24"	12.75"

Specifications subject to change without notice.

### MODEL 317 SINGLE CARTRIDGE



**TRUSTED TO DELIVER®**

Nol-Tec Systems, Inc | 425 Apollo Drive | Lino Lakes, MN 55014  
651.780.8600 | sales@nol-tec.com | www.nol-tec.com

5.025.SALE.10.23.18.03

