



2-WAY AUTOMATIC HOSE SWITCH

The Nol-Tec 2-way automatic hose switch diverts dry, abrasive, or difficult-to-handle materials with minimal product degradation and cross-contamination.

STANDARD FEATURES:

- Pressure and vacuum, dense and dilute phase conveying
- Heavy-duty carbon steel construction
- Stainless steel seal and slide plates
- Abrasion-resistant rubber hose
- Single air cylinder positioning
- Conveying pressure up to 75 PSIG
- Suitable for converging or diverging applications
- Urethane sealing rings
- Unused port blocked and sealed
- Switches to indicate position
- Clean-wipe seal controls
- Wide inlet/outlet spacing

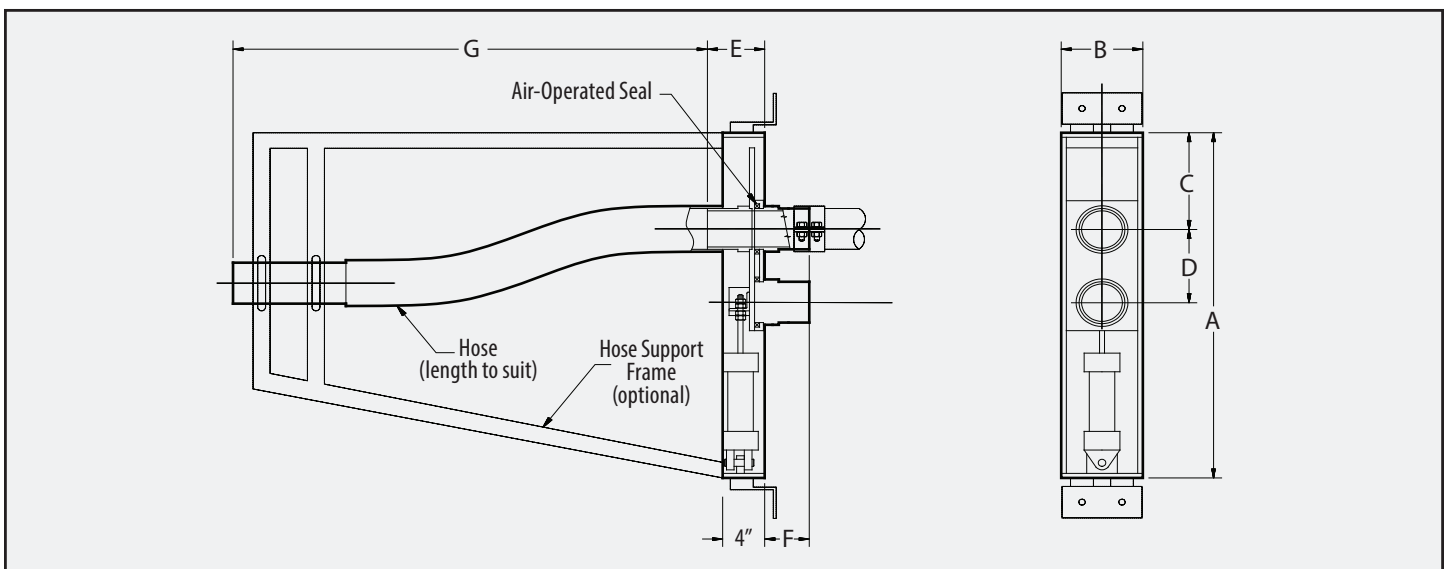
SPECIFICATIONS:

- **Compressed air:** Clean and dry at 80 PSIG minimum
- **Electrical:** 24VDC
- **Temperature:** 180° F intermittent; 150° F continuous

OPTIONAL FEATURES:

- Stainless steel construction
- Stainless steel product contact areas
- FDA white rubber hose
- Hazardous location design
- Flange inlet and outlets
- High-temperature design
- Hose support frame
- Support feet
- Electrical: 110-120V; 50-60Hz
- Contact Nol-Tec with any special requirements

2-WAY AUTOMATIC HOSE SWITCH							
SIZE	A	B	C	D	E	F	G
2"	38.37"	6"	9.75"	6.50"	5.81"	4"	50.81"
3"	47.12"	7"	12"	8"	6"	4.50"	59.50"
4"	55"	8"	14.06"	9.50"	5.25"	4.50"	72.25"
5"	59.25"	9"	15.50"	10.50"	5.28"	5"	76.72"
6"	65.87"	10"	17.50"	11.50"	5.88"	5.50"	88.50"



Specifications subject to change without notice.

TRUSTED TO DELIVER™

Nol-Tec Systems, Inc | 425 Apollo Drive | Lino Lakes, MN 55014
651.780.8600 | sales@nol-tec.com | www.nol-tec.com

5.160.SALE.10.23.18.02

