



# FLUIDIZING BIN BOTTOM

The Nol-Tec fluidizing bin bottom promotes the free flow of powdered or granular materials in storage vessels.

## STANDARD FEATURES:

- Three air injection valve assemblies controlled by one solenoid valve
- Ceramic valve seat directs air into material at various angles
- Abrasion-resistant urethane valve seal
- Wear parts replaceable from outside vessel
- **Air controls:** manifold, regulator, hoses, and solenoid
- Cone angle approx. 70°

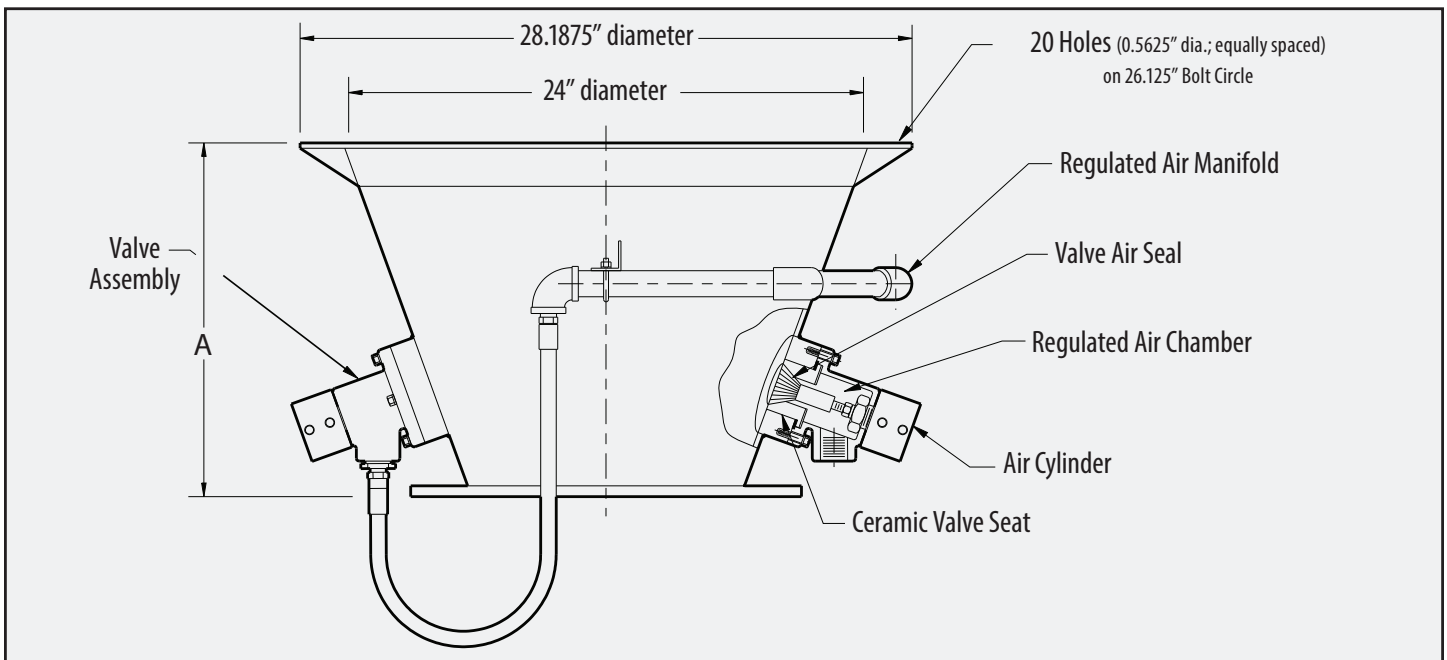
## SPECIFICATIONS:

- **Weight:** 115 lbs
- **Compressed air:** Clean and dry at 80 PSIG minimum
- **Temperature:** 200° F
- **Electrical:** 24 VDC

## OPTIONAL FEATURES:

- Stainless steel construction
- Interior coatings and finishes
- Special mounting flanges
- Individual solenoid valve for aerator sequencing
- Sanitary design
- Explosion-proof design
- High-temperature design
- **Electrical:** 110-120V; 50-60Hz

FLUIDIZING BIN BOTTOM		
MODEL	DISCHARGE SIZE	A
328-4-3	4"	27"
328-6-3	6"	24"
328-8-3	8"	21.25"
328-10-3	10"	18.38"
328-12-3	12"	15.56"
328-14-3	14"	16"
328-16-3	16"	16"



Specifications subject to change without notice.

## TRUSTED TO DELIVER™

Nol-Tec Systems, Inc | 425 Apollo Drive | Lino Lakes, MN 55014  
651.780.8600 | sales@nol-tec.com | www.nol-tec.com

5.036.SALE.10.23.18.05

