



3-WAY LINE SWITCH

The Nol-Tec 3-Way Line Switch is designed for trouble-free conveying of dry materials in pneumatic conveying systems.

STANDARD FEATURES:

- Heavy-duty steel construction
- One-piece abrasion resistant urethane tube with integral seal
- Smooth, uniform internal bore to minimize cross contamination
- One-positioning air cylinder to select direction of flow
- Dual sealing air cylinders provide positive dust-tight operation
- Conveying pressure up to 90 PSIG
- Suitable for converging or diverging applications
- Suitable for outdoor service
- Limit switches used to indicate position and sealing

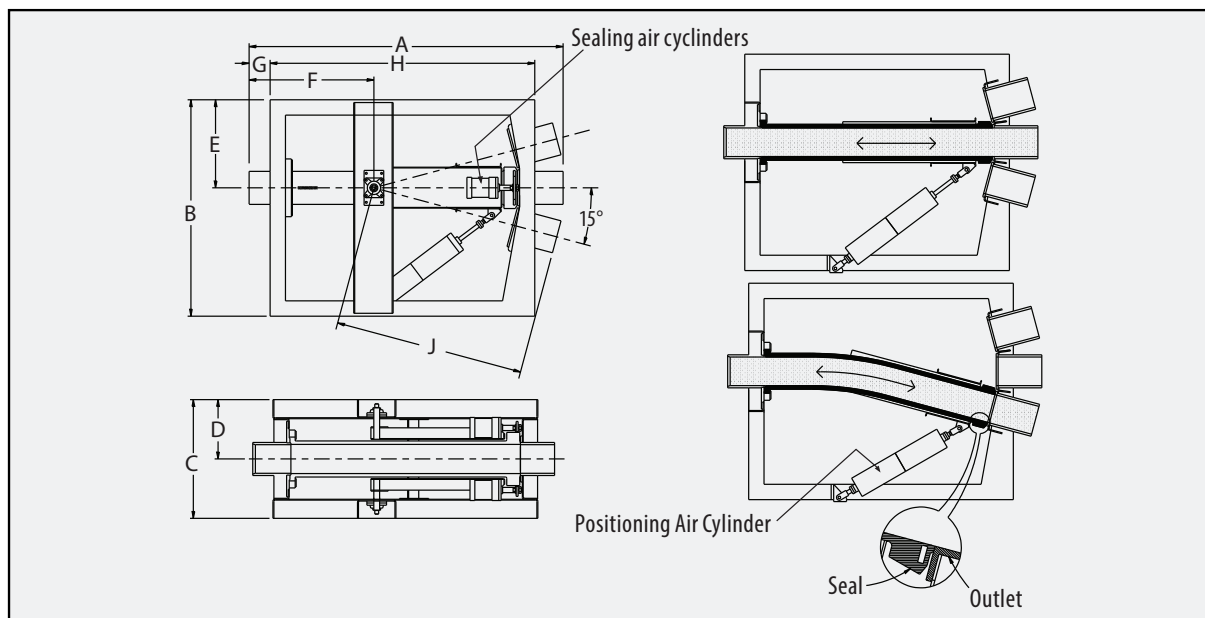
SPECIFICATIONS:

- **Compressed air:** Clean and dry at 80 PSIG
- **Temperature range:** 180° F maximum
- **Electrical:** 24 VDC

OPTIONAL FEATURES:

- Flanged or grooved pipe line connections
- Stainless steel product contact surfaces
- Stainless steel construction
- Weather protection covers
- Sanitary design (FDA tubes)
- **Electrical:** 110-120V; 50/60HZ
- Contact Nol-Tec with your special requirements

INLET VALVE										
MODEL	SIZE	A	B	C	D	E	F	G	H	J
320	6" & 8"	83"	64"	35"	17.50"	24"	31.50"	5"	73"	51.50"
330	4" & 5"	43"	42"	18"	9"	14.81"	8.75"	4"	32.91"	34.25"
331	2" & 3"	34"	32"	15"	7.50"	12"	8"	3.25"	26.25"	26"



TRUSTED TO DELIVER™

Nol-Tec Systems, Inc | 425 Apollo Drive | Lino Lakes, MN 55014
651.780.8600 | sales@nol-tec.com | www.nol-tec.com

5.032.SALE.10.23.18.02

