



BIN FILL VALVE

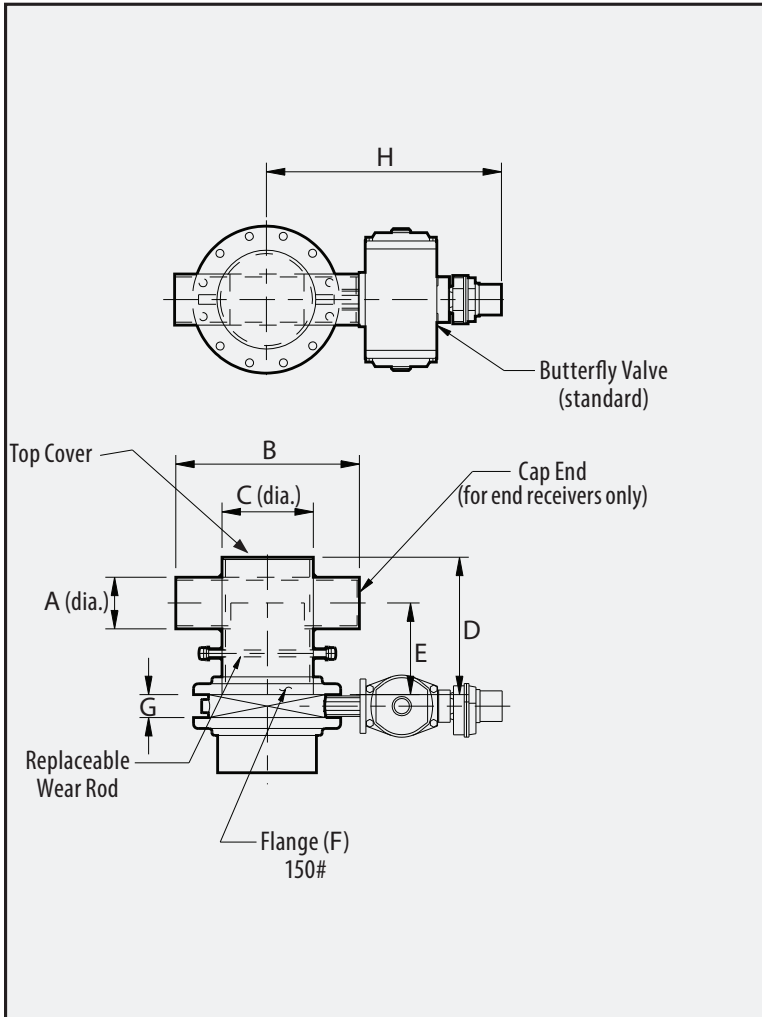
Nol-Tec bin fill valves offer an economical switching solution when pneumatically conveying the same material to multiple destinations.

STANDARD FEATURES:

- Stainless steel construction
- **Electrical:** 110-120V; 50-60 hz

SPECIFICATIONS:

- Dense phase conveying only
- The butterfly valve must be installed as shown or rotated 180° so that the wear rod protects the disk
- **Electrical:** 24VDC



BIN FILL VALVES								
SIZE	A	B	C	D	E	F	G	H
2"	2.375"	16"	4.5"	10"	7.5"	4"	2"	18"
3"	3.5"	18"	6.625"	11.5"	8"	6"	2.125"	20.25"
4"	4.5"	20"	8.625"	13"	9"	8"	2.5"	22.5"
5"	5.5625"	20"	10.75"	15"	10"	10"	2.5"	25.375"
6"	6.625"	24"	12.75"	17.5"	11.5"	12"	3"	26.875"
8"	8.625"	28"	14"	21"	14"	14"	3"	30.375"
10"	10.75"	30"	16"	23"	15"	16"	4"	31.5"
12"	12.75"	32"	18"	25.5"	16.5"	18"	4.25"	34.625"
14"	14"	34"	20"	27"	17.5"	20"	5"	35.875"

Specifications subject to change without notice.

TRUSTED TO DELIVER™

Nol-Tec Systems, Inc | 425 Apollo Drive | Lino Lakes, MN 55014
651.780.8600 | sales@nol-tec.com | www.nol-tec.com

