



VACUUM FILTER/ RECEIVER

Nol-Tec vacuum filter/receivers effectively contain dust generated by dense or dilute vacuum pneumatic conveying systems.

STANDARD FEATURES:

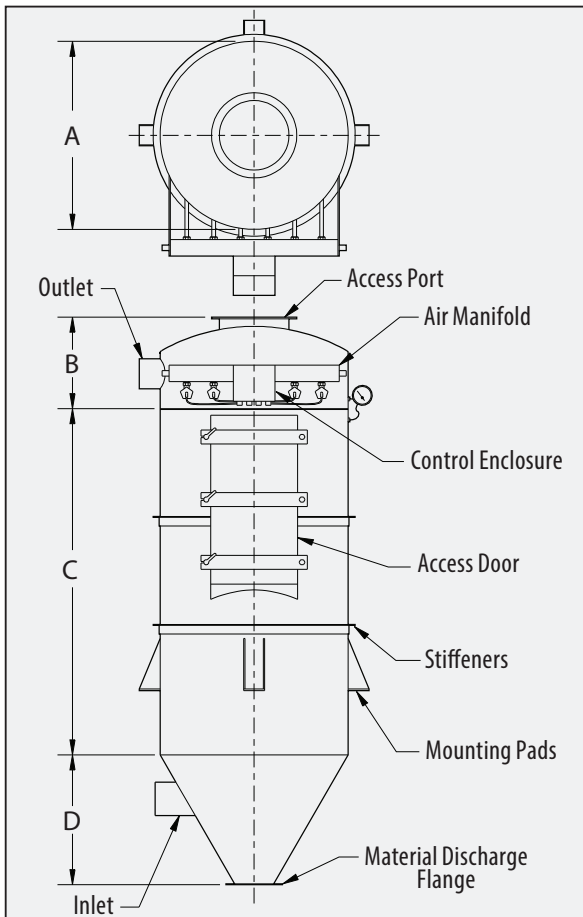
- Heavy gauge continuous welded construction
- Reinforced housing
- Venturi reverse jet cleaning
- Bottom grid
- Cartridge or bag filter media
- Magnehelic gauge
- Bird screen and weatherhood
- Quick-release bag clamps
- Large access door
- Vacuum design 17" Hg

SPECIFICATIONS:

- **Compressed air:** Clean and dry at 80 PSIG minimum
- **Temperature:** 200° F
- **Electrical:** 24 VDC

OPTIONAL FEATURES:

- Stainless steel construction
- Hazardous location design
- High-temperature design
- Variety of filter media materials available
- Exhauster
- Hopper bottom
- Additional access doors
- Hopper aeration and damper valve
- Hi vac 30" Hg
- **Electrical:** 110-120V; 50-60Hz



Specifications subject to change without notice.

VACUUM FILTER/RECEIVER						
Model Number	Cartridge Filter area	Bag Filter area	A	B	C	D
36-FR-*-9	180 ft ²	41 ft ²	2.50 ft	1.75 ft	4.00 ft	1.58 ft
60-FR-*-9	270 ft ²	68 ft ²	2.50 ft	1.75 ft	6.00 ft	1.58 ft
84-FR-*-9	540 ft ²	95 ft ²	2.50 ft	1.75 ft	8.00 ft	1.58 ft
60-FR-*-14	420 ft ²	105 ft ²	3.00 ft	1.83 ft	6.00 ft	2.00 ft
84-FR-*-14	840 ft ²	147 ft ²	3.00 ft	1.83 ft	8.00 ft	2.00 ft
60-FR-*-18	540 ft ²	135 ft ²	3.50 ft	1.92 ft	6.00 ft	2.42 ft
84-FR-*-18	1,080 ft ²	189 ft ²	3.50 ft	1.92 ft	8.00 ft	2.42 ft
60-FR-*-24	720 ft ²	180 ft ²	4.00 ft	2.00 ft	6.00 ft	2.92 ft
84-FR-*-24	1,440 ft ²	252 ft ²	4.00 ft	2.00 ft	8.00 ft	2.92 ft
60-FR-*-32	960 ft ²	240 ft ²	4.50 ft	2.08 ft	6.00 ft	3.33 ft
84-FR-*-32	1,920 ft ²	336 ft ²	4.50 ft	2.08 ft	8.00 ft	3.33 ft
60-FR-*-38	1,140 ft ²	285 ft ²	5.00 ft	2.17 ft	6.00 ft	3.75 ft
84-FR-*-38	2,280 ft ²	399 ft ²	5.00 ft	2.17 ft	8.00 ft	3.75 ft
60-FR-*-46	1,380 ft ²	345 ft ²	5.50 ft	2.17 ft	6.00 ft	4.17 ft
84-FR-*-46	2,760 ft ²	483 ft ²	5.50 ft	2.25 ft	8.00 ft	4.17 ft
60-FR-*-54	1,620 ft ²	405 ft ²	6.00 ft	2.33 ft	6.00 ft	4.67 ft
84-FR-*-54	3,240 ft ²	567 ft ²	6.00 ft	2.33 ft	8.00 ft	4.67 ft
60-FR-*-70	2,100 ft ²	525 ft ²	6.50 ft	2.20 ft	6.00 ft	5.20 ft
84-FR-*-70	4,200 ft ²	735 ft ²	6.50 ft	2.20 ft	8.00 ft	5.20 ft
60-FR-*-80	2,400 ft ²	600 ft ²	7.00 ft	2.40 ft	6.00 ft	5.80 ft
84-FR-*-80	4,800 ft ²	840 ft ²	7.00 ft	2.40 ft	8.00 ft	5.80 ft
60-FR-*-93	2,790 ft ²	698 ft ²	7.50 ft	2.60 ft	6.00 ft	6.20 ft
84FR-*-93	5,580 ft ²	977 ft ²	7.50 ft	2.60 ft	8.00 ft	6.20 ft
60-FR-*-104	3,120 ft ²	780 ft ²	8.00 ft	2.80 ft	6.00 ft	6.80 ft
84-FR-*-104	6,240	1,092	8.00	2.80	8.00	6.80

*Larger size models available upon request

*C=Cartridge filter media; B=Bag filter media (Cartridge standard)

TRUSTED TO DELIVER™

Nol-Tec Systems, Inc | 425 Apollo Drive | Lino Lakes, MN 55014
651.780.8600 | sales@nol-tec.com | www.nol-tec.com

5.023.SALE.10.23.18.04

