



# TRANSPORTER 60° CONE

*Nol-Tec transporters are designed to provide trouble-free dense phase pneumatic conveying of most materials.*

### STANDARD FEATURES:

- Heavy-duty design
- Mill finish interior
- 60° cone
- Manway
- Butterfly valve with pneumatic actuator
- Rotatable outlet

### SPECIFICATIONS:

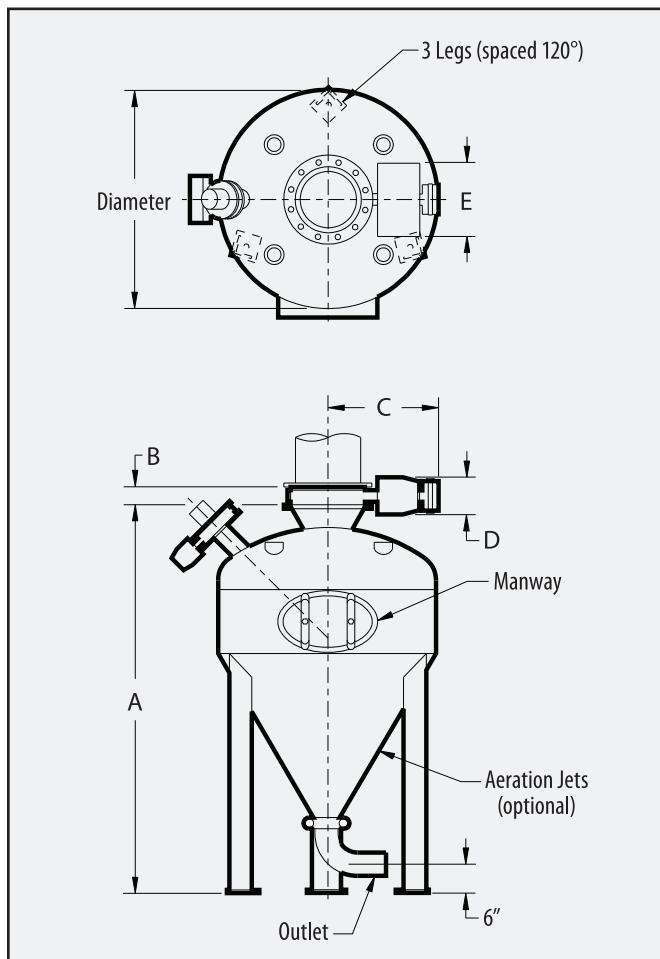
- **Design pressure:** 90 PSIG
- **Temperature range:** -20° F to +450° F
- **Electrical:** 24 VDC

### OPTIONAL FEATURES:

- Aeration jets
- Interior coatings and finishes
- Multiple inlets
- Stainless steel construction
- Electrical: 110-120V; 50-60 Hz

### CODES:

- A.S.M.E. Section VIII, DIV1 with National Board registration



| TRANSPORTER |                     |         |          |             |
|-------------|---------------------|---------|----------|-------------|
| MODEL       | CAPACITY            | A       | DIAMETER | SHIP WEIGHT |
| 201-701     | 1 ft <sup>3</sup>   | 2'-9"   | 1'-4"    | 300 lbs     |
| 201-703     | 2.5 ft <sup>3</sup> | 3'-5"   | 2'       | 450 lbs     |
| 201-705     | 5 ft <sup>3</sup>   | 4'-5"   | 2'       | 650 lbs     |
| 201-710     | 10 ft <sup>3</sup>  | 5'-2"   | 3'       | 900 lbs     |
| 201-720     | 20 ft <sup>3</sup>  | 6'-2"   | 3'-6"    | 1,220 lbs   |
| 201-730     | 30 ft <sup>3</sup>  | 7'-5"   | 3'-6"    | 1,720 lbs   |
| 201-740     | 40 ft <sup>3</sup>  | 8'-5"   | 3'-6"    | 1,890 lbs   |
| 201-750     | 50 ft <sup>3</sup>  | 8'-4"   | 4'-6"    | 1,935 lbs   |
| 201-760     | 60 ft <sup>3</sup>  | 8'-9"   | 4'-6"    | 2,030 lbs   |
| 201-770     | 70 ft <sup>3</sup>  | 9'-7"   | 4'-6"    | 2,215 lbs   |
| 201-780     | 80 ft <sup>3</sup>  | 10'-2"  | 4'-6"    | 2,300 lbs   |
| 201-790     | 90 ft <sup>3</sup>  | 10'-10" | 4'-6"    | 2,460 lbs   |
| 201-800     | 100 ft <sup>3</sup> | 11'-5"  | 4'-6"    | 2,570 lbs   |
| 201-7150    | 150 ft <sup>3</sup> | 11'     | 6'       | 3,360 lbs   |
| 201-7200    | 200 ft <sup>3</sup> | 12'-9"  | 6'       | 3,860 lbs   |
| 201-7250    | 250 ft <sup>3</sup> | 14'-9"  | 6'       | 4,360 lbs   |
| 201-7500    | 500 ft <sup>3</sup> | 17'     | 8'       | 8,000 lbs   |
| 201-7750    | 750 ft <sup>3</sup> | 18'     | 10'      | 10,000 lbs  |

| INLET VALVE |       |        |      |        |             |
|-------------|-------|--------|------|--------|-------------|
| SIZE        | B     | C      | D    | E      | SHIP WEIGHT |
| 6"          | 2.12" | 20.5"  | 4.7" | 12"    | 40 lbs      |
| 8"          | 2.5"  | 20.5"  | 6"   | 10.88" | 60 lbs      |
| 10"         | 2.5"  | 21.25" | 6"   | 10.88" | 75 lbs      |
| 12"         | 3"    | 23.75" | 8"   | 15.75" | 150 lbs     |
| 14"         | 3"    | 31"    | 9"   | 19"    | 250 lbs     |
| 16"         | 4"    | 26.63" | 8"   | 22"    | 300 lbs     |
| 18"         | 4.25" | 28.25" | 8"   | 22"    | 335 lbs     |

Specifications subject to change without notice.

### TRUSTED TO DELIVER™

Nol-Tec Systems, Inc | 425 Apollo Drive | Lino Lakes, MN 55014  
651.780.8600 | sales@nol-tec.com | www.nol-tec.com

5.006.SALE.10.23.18.03

