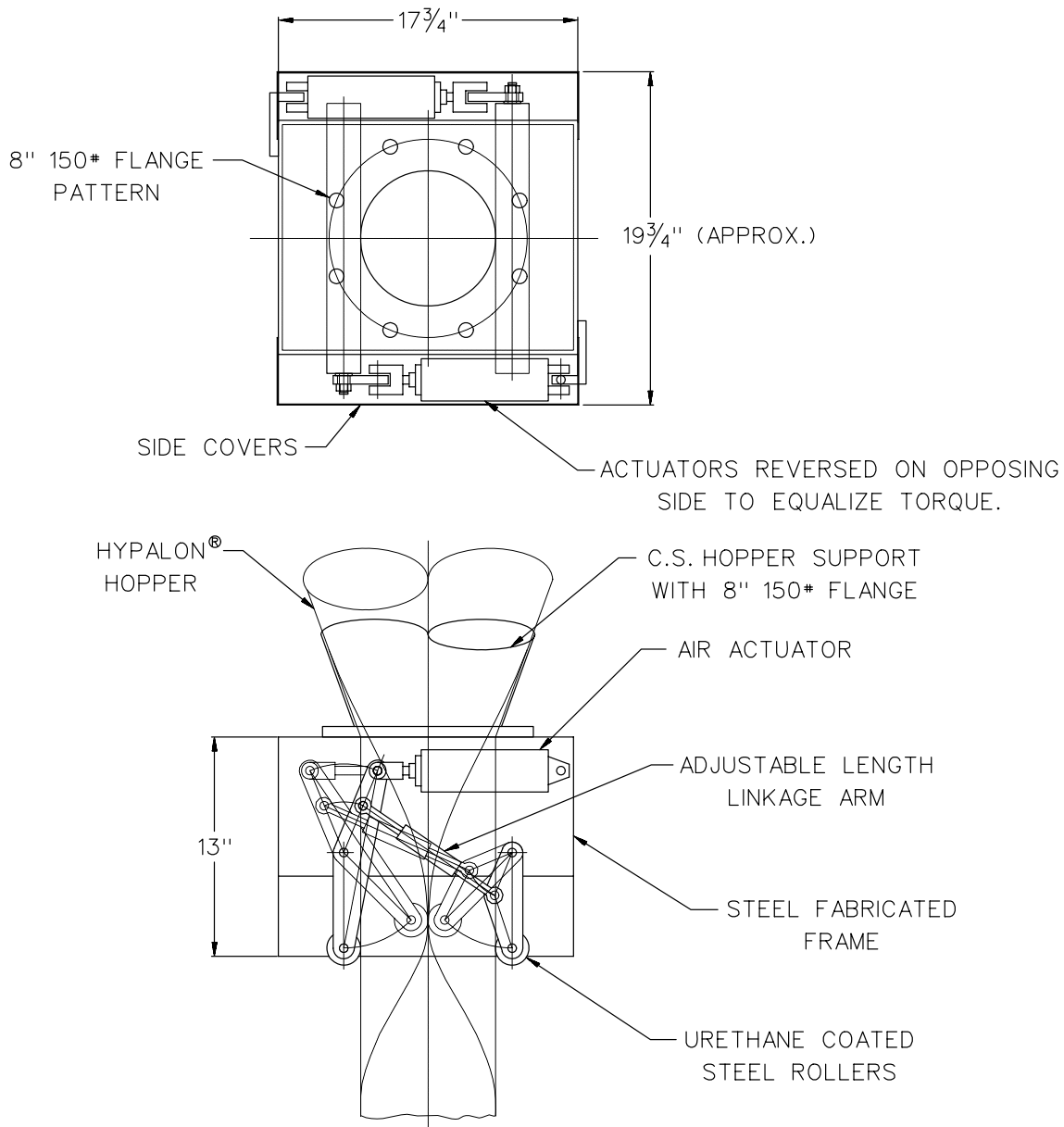


8" SQUEEZE GATE

MODEL 406



STANDARD FEATURES:

- Heavy-duty design
- Gentle opening and closing of Hypalon[®] or other flexible wall discharge tube.
- No ledges for build-up of material.
- External maintenance without removing valve.
- Full orifice opening for difficult flowing materials.

OPTIONAL FEATURES:

- Stainless construction

SPECIFICATIONS:

- Temperature range - -20°F to +200°F
- Air:
 - Clean and dry at correct pressure dew point
 - 80 PSIG minimum
- Electrical - 110-120V, 50/60HZ