



Model 360

3-WAY AUTOMATIC HOSE SWITCH

The NOL-TEC three-way automatic hose switch diverts dry, abrasive, or difficult-to-handle materials with minimal product degradation and cross-contamination.

STANDARD FEATURES:

- Heavy-duty carbon steel construction
- Stainless steel seal and slide plates
- Abrasion-resistant rubber hose
- Dual air cylinder positioning
- Conveying pressure up to 75 PSIG
- Pressure and vacuum use
- Suitable for converging or diverging applications
- Urethane sealing rings
- Unused ports blocked and sealed
- Switches to indicate position
- Six-block gliding plate adjustable hold downs
- Dual-length pipes for plain pipe end or compression couplings
- Tabs for tie bars
- Clean-wipe seal controls

OPTIONAL FEATURES:

- Stainless steel construction
- Stainless steel product contact areas
- FDA white rubber hose

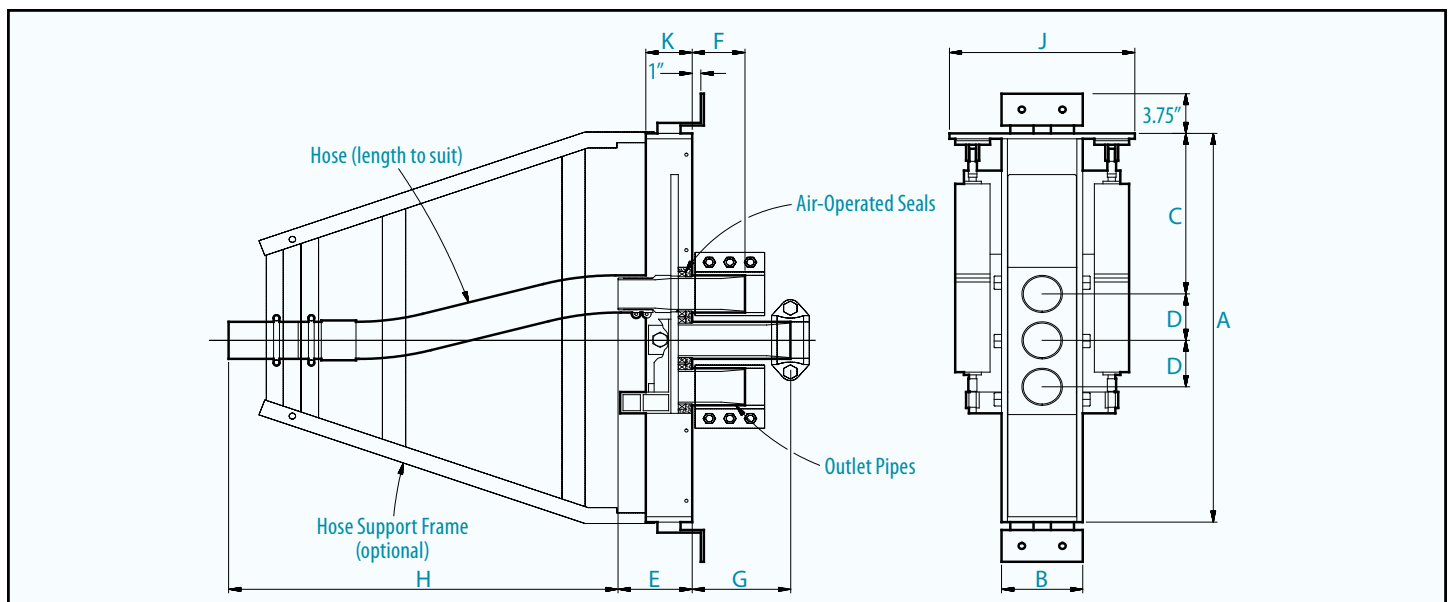
OPTIONAL FEATURES: (continued)

- Explosion-proof electrical
- High-temperature design
- Hose support frame
- Support feet
- Contact Nol-Tec with any special requirements

SPECIFICATIONS:

- **Air:** Clean and dry at correct pressure dew point; 80 PSIG minimum
- **Electrical:** Solenoid valve 110-120V; 50/60Hz; Limit switch DPDT, 10A; Reed switches 110V
- **Temperature:** 180° F

THREE-WAY AUTOMATIC HOSE SWITCH										
SIZE	A	B	C	D	E	F	G	H	J	K
2"	32.88"	6"	15.63"	3.5"	6.19"	4"	8"	24.31"	15"	4"
3"	36.63"	7"	15.13"	4.38"	6.44"	4.5"	8"	33.62"	16"	4"
4"	45.81"	8"	18.32"	5.72"	7.44"	4.5"	8.5"	41.94"	17"	4"
5"	54"	9"	21.78"	6.72"	9.5"	5"	9.75"	47.4"	20.5"	4.5"
6"	60.38"	10"	23.63"	7.75"	10.5"	5.5"	10.5"	60.68"	21.5"	4.5"



Specifications subject to change without notice.

Nol-Tec Systems, Inc.

425 Apollo Drive

Lino Lakes, MN 55014

(651) 780-8600 • (651) 780-4400 fax

sales@nol-tec.com • www.nol-tec.com